

Eleexo XXL Shower-toilet chair



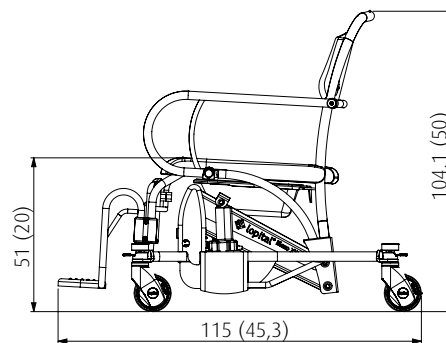
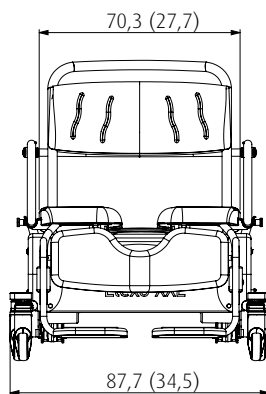
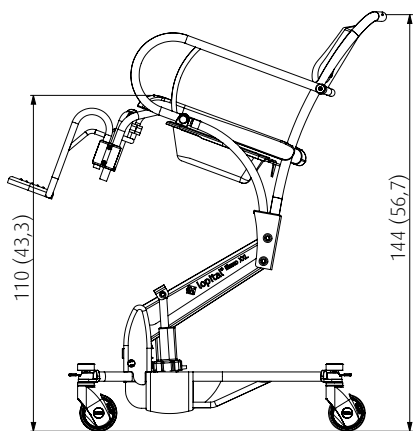
5100 5300

Eleexo XXL Shower-toilet chair high / low

Caring for Bariatric clients with traditional shower-toilet chairs is heavy work. Care staff are obliged to work in unnatural postures and suffer from static back strain. Lopital offers relief with the height-adjustable Eleexo XXL shower-toilet chair.

The electric height-adjustability ensures that the seat reaches a maximum tilting angle of 17 degree when at its maximum height, thereby creating the optimum seating balance for the client / resident. The Eleexo XXL provides comfort with the ergonomically shaped seat, calf support and foldable extended armrests.





Elexo XXL Shower-toilet chair high / low

Characteristics

- simple electric high / low adjustment manual operation with battery indicator
- tilt adjustment to a maximum of 17 degrees
- 3 plastic castors fitted with brakes
- 1 direction wheel
- extremely stable due to 2 lifting motors
- rail for toilet bucket or bedpan
- sleep mode setting after 60 minutes
- simple to recharge with included charger
- folding and extended armrests
- 2-part seat with toilet opening
- ergonomic calf support
- swivelling and detachable footrests

Optional

- height and depth adjustable headrest

Technical specifications

| | |
|-------------------------|--|
| Max. load: | 220 kilo / 484 lb |
| Own weight: | 75 kilo / 165 lb |
| Wedge setting: | 17 degree |
| Adjustable seat height: | 51-110 cm / 20-43.3 inch |
| Seat width: | 70,3 cm / 27.7 inch |
| Seat depth: | 60 cm / 23.5 inch |
| Battery capacity: | 2x 12V, 7.2Ah |
| Charger: | 220V 50 / 60Hz 500mA |
| Electrical power: | 24V |
| Max. current: | 10A |
| Max. power: | 240 watt |
| Security: | <ul style="list-style-type: none"> • on / of switch • emergency stop • emergency lowering |



Cornerstone Medical Inc. brings you the industry's best products from companies who focus their R&D to meet healthcare's evolving needs.



Cornerstone Medical Inc., 4-889 Barton Street, Stoney Creek, ON L8E 5V1
 T 905-945-2522 or 1-800-652-3895 | F 905-945-5611 | E info@cornerstone-medical.com

www.cornerstone-medical.com