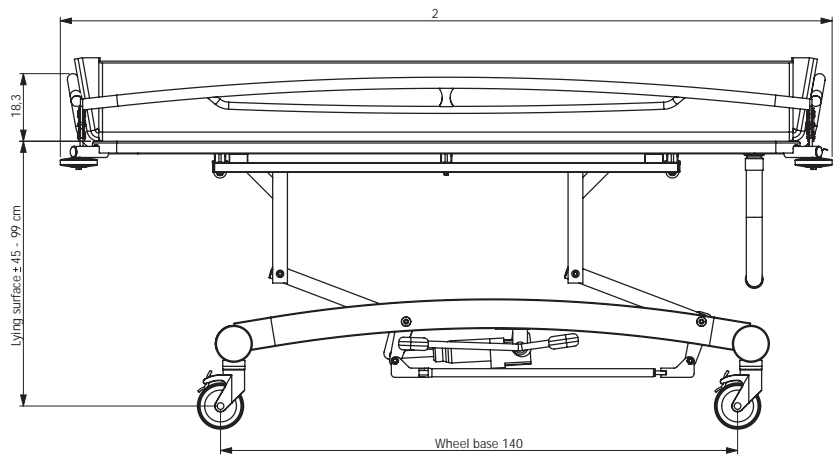
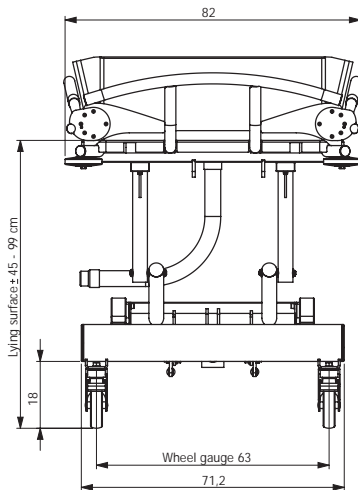


Technical specifications

40%	44.4x
40%	44.4x
40%	44.4x
50%	55.6x
50%	55.6x
60%	66.7x
60%	66.7x
70%	77.8x
70%	77.8x
80%	88.9x
80%	88.9x

40%

50%



Cornerstone Medical Inc. brings you the industry's best products from companies who focus their R&D to meet healthcare's evolving needs.



Cornerstone Medical Inc., 4-889 Barton Street, Stoney Creek, ON L8E 5V1
 T 905-945-2522 or 1-800-652-3895 | F 905-945-5611 | E info@cornerstone-medical.com

www.cornerstone-medical.com